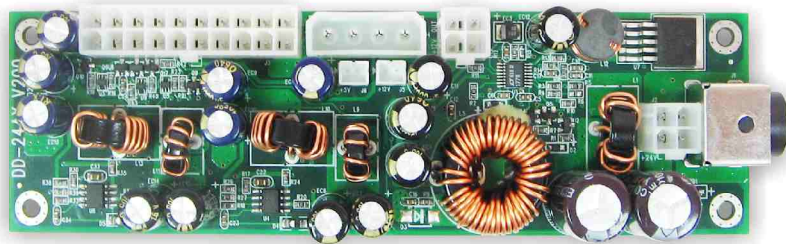


DC To DC Power Units

DD-24AX

24V to ATX 120W DC/DC Converter Module



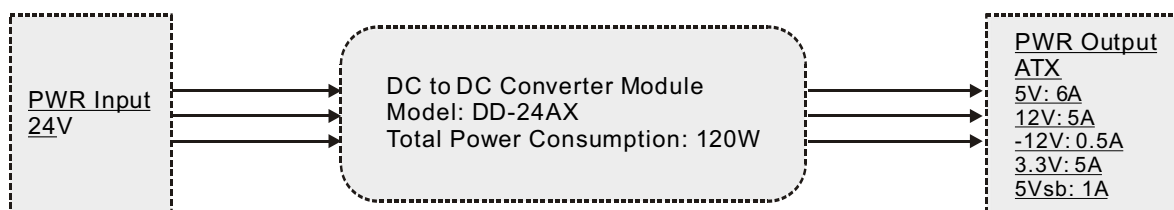
V220-1

Features

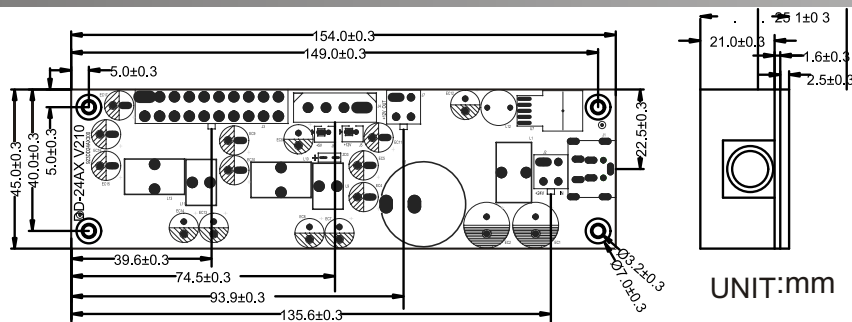
- High efficiency DC-DC Power Supply
- Output over-current protection
- DC soft start function, low inrush current
- Short circuit protection
- RoHS Compliant
- No minimum load required

GENERAL

Applicable to general Panel PC for 24V to ATX mainboard that acceptable ATX power



MECHANICAL



* Note: this is a simplified drawing and some components are not marked in detail. Please contact our sales representative if you need further product information.

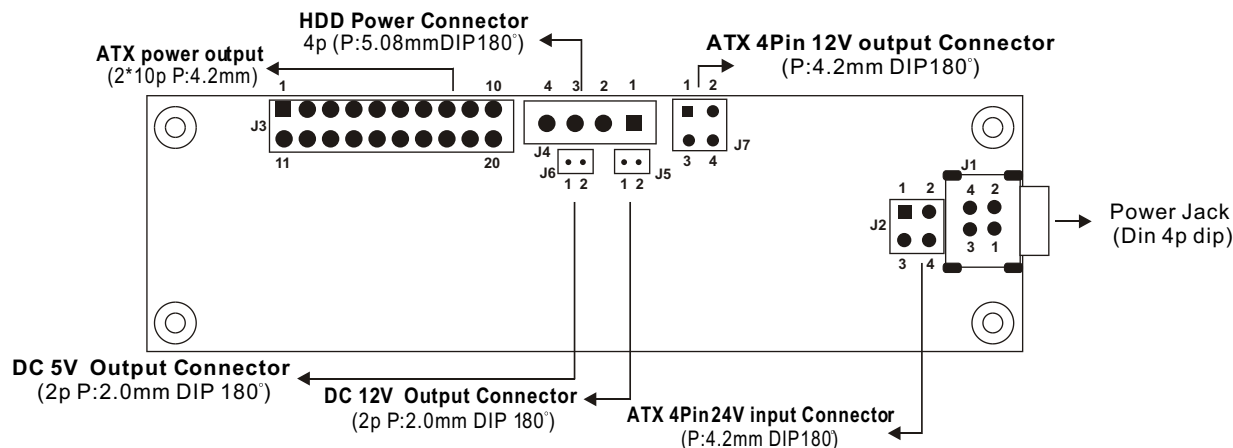
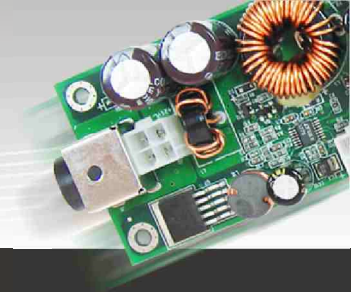
Specifications

Input Voltage	: 24V DC
Load Range	: 5V: 6A 12V: 5A -12V: 0.5A 3.3V: 5A 5Vsb: 1A
Ripple And Noise	: 5V: Less than 100mV 3.3V: Less than 66mV 5Vsb: 100mV 12V: 120mV -12V: 200mV
Line Regulation	: Less than $\pm 2.5\%$ at rated load with $\pm 10\%$ change in input voltage
Load Regulation	: 5V: Less than $\pm 5\%$ +12V: Less than $\pm 5\%$ -12V $\pm 5\%$ + 3.3V Less than $\pm 5\%$
Efficiency	: 88%
Altitude	: 0 to 10000ft
Operating Temp	: 0 $^{\circ}$ ~50 $^{\circ}$ C
Storage Temp.	: -20 $^{\circ}$ ~70 $^{\circ}$ C
Humidity	: 10~90% non-condensing
Dimension	: 154x45x25.6(mm)

DC To DC Power Units

DD-24AX

24V to ATX 120W DC/DC Converter Module



* Note: this is a simplified drawing and some components are not marked in detail. Please contact our sales representative if you need further product information.

Pin Assignment:

J1: Power Jack

Connector Type : Din 4p dip Power Jack QuickLock

Pin	Symbol
1	DC 24V Input
2	GND
3	DC 24V Input
4	GND

J2: ATX 4Pin 24V input Connector

Connector Type : P:4.2mm DIP180° Molex 87427

Pin	Symbol
1	GND
2	GND
3	DC 24V Input
4	DC 24V Input

J3: ATX power output

Connector Type : 2*10p P:4.2mm Molex87427

Pin	Symbol
1	+3.3V
2	+3.3V
3	GND
4	+5V
5	GND
6	+5V
7	GND
8	Power Good
9	5V SB(stand by +5V)
10	+12V
11	+3.3V
12	- 12V
13	GND
14	PS_ON(soft on/off)
15	GND
16	GND
17	GND
18	(NC)
19	+5V
20	+5V

J4: HDD Power Connector

Connector Type : 4p P:5.08mm DIP180° Molex8981

Pin	Symbol
1	DC 12V Output
2	GND
3	GND
4	DC 5V Output

J6: DC 5V Output Connector

Connector Type : 2p P:2.0mm DIP 180°

Pin	Symbol
1	DC 5V Output
2	GND

J5: DC 12V Output Connector

Connector Type : 2p P:2.0mm DIP 180°

Pin	Symbol
1	DC 12V Output
2	GND

J7: ATX 4Pin 12V output Connector

Connector Type : P:4.2mm DIP180° Molex 87427

Pin	Symbol
1	GND
2	GND
3	DC +12V Output
4	DC +12V Output

Rev.	Reasons	Revised Date
1.1	Spec change	Jun-30-09